



Description

The Mircom FA-102T panel is designed for non-coded fire alarm systems in small commercial, institutional and industrial occupancies. A slim-line design and a neutral beige exterior colour offers an unobtrusive appearance to complement any interior.

The FA-102T includes one circuit board providing all the essentials for a complete fire alarm system. Two Class 'B' initiating circuits and one Class 'B' indicating circuit (1.7 Amps) are provided by the FA-102T. The indicating circuit is protected from shorts by self-restoring circuitry.

The FA-102T is equipped with supervision for ground fault detection, battery low level or open wire fault, initiating and indicating circuit wiring faults and loss of A.C. power. The initiating circuits are supervised for opens and power and the indicating circuits are supervised for opens, shorts and ground faults. The FA-102T has LED indicators for Zone Alarm, Zone Trouble, A.C. On, Battery Fault, Ground Fault, Common Trouble, Signal Trouble and Signal Silenced and switches for Zone Disconnect/Silence, Buzzer Silence and Reset.

Features

- Two Class 'B' initiating circuits
- One Class 'B' indicating circuit (1.7 Amps)
- Individual Zone Silence/Disconnect switches
- Audible tones are DIP Switch selectable for Steady and Temporal Code
- Powerful 3 mA capacity per zone for 2-wire smoke detectors
- Common alarm Relay contact, Form C, 28 VDC @ 3 AMP (Resistive)
- Selectable 'N.O' or 'N.C.' common trouble contact 28 VDC @ 3 Amp(Resistive)
- A.C. ON LED (Green)
- Zone Alarm LED (Amber)
- Signal Trouble LED (Amber)
- Ground Fault LED (Amber)
- Battery Fault LED (Amber)
- Alarm Silenced LED (Amber)
- Common Trouble LED & Silence switch
- Remote Trouble Indicator output
- Remote A.C. On output
- Selectable 1 minute Signal silence inhibit
- Extensive Transient Protection on all circuits
- Neutral Beige exterior colour
- All circuits are power limited

The FA-102T has selectable audible tones which can be configured via DIP switches for Steady and Temporal Code.

The panel also includes a common alarm relay which is configurable (via jumper) to follow the signal circuit or lock on until the Alarm has been reset.

The cabinet is available in a beige colour and the Fire Retardant Lexan Window in the hinged door allows for viewing of the status LEDs. It comes with a durable CAT-30 lock and key. Space is provided for 4 to 6.5 AH batteries.



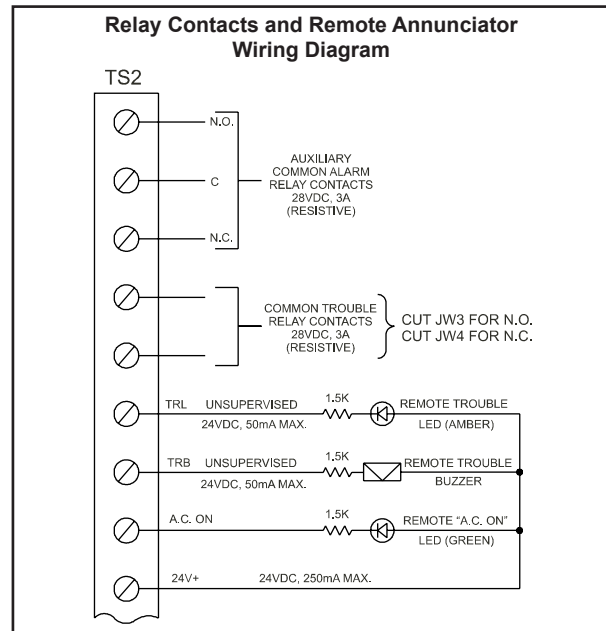
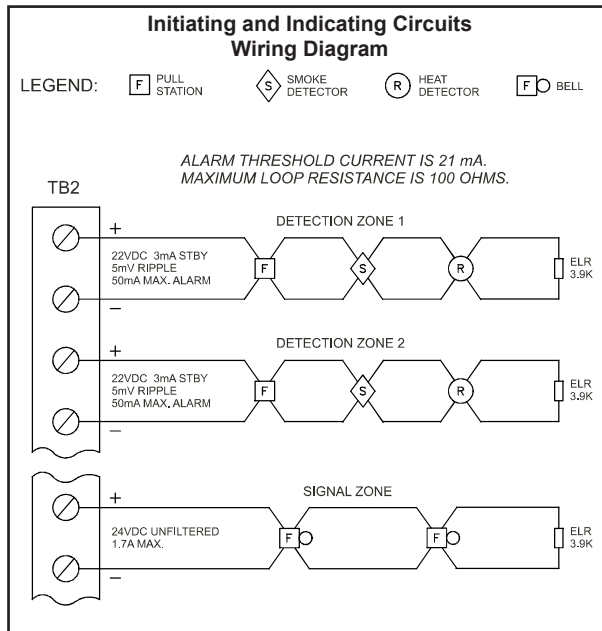
S7010

CATALOG NUMBER **5010**

NOT TO BE USED FOR INSTALLATION PURPOSES.

Mircom reserves the right to make changes at any time without notice in prices, colours, materials, components, equipment, specifications and models and also to discontinue models.

Wiring Diagrams



Technical Specifications

Initiating Circuits

Output Voltage	22 VDC, filtered and regulated.
Current Limited	50 mA
Supervisory Current	3 mA (up to 30, 2-wire smoke detectors @ 100 uA each)
Loop Resistance	100 ohms, max
End of Line Resistor	3.9Kohm ± 5%, 1/2W

Indicating Circuits

Output Voltage	24 VDC
Output Current	1.7A
End of Line Resistor	3.9Kohm ± 5%, 1/2W
Auxiliary Contacts	28 VDC, 3A (Resistive)
Dimensions	13.7"(347mm)W x 12.7"(322mm)H x 2.8"(71mm)D

Ordering Information

Model

FA-102T
RTI-1
FA-102TR
BA-104
BA-1065

Description

Two Zone Fire Alarm Panel
Remote Trouble indicator, mounts onto a single gang electrical box
Flush Mounting Trim Ring
Gel-Cell 12V / 4.0 AH Battery (2 required)
Gel-Cell 12V / 6.5 AH Battery (2 required)

NOT TO BE USED FOR INSTALLATION PURPOSES.



Canada

25 Interchange Way
Vaughan, Ontario L4K 5W3
Telephone: (905) 660-4655
Fax: (905) 660-4113

U.S.A.

4575 Witmer Industrial Estates
Niagara Falls, NY 14305
Toll Free: (888) 660-4655
Fax Toll Free: (888) 660-4113

Web page: <http://www.mircom.com> Email: mail@mircom.com

Distributed by:



CAT. 5010
Rev. 4